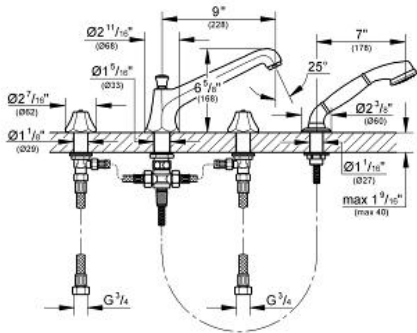


SOMERSET  
Four-hole bath combination  
MODEL # 25077

Pure Freude an Wasser



GROHE America, Inc | 200 North Gary Avenue, Suite G, Roselle, IL 60172  
Phone: +1 (800) 444-7643 | Fax: +1 (800) 225-2778 | us-customerservice@grohe.com



**Product Description:**  
Four-hole bath combination

- Standard Specification:**
- GROHE StarLight® finish
  - Side valves with 1/2" ceramic cartridges
  - Diverter bath spout with flow control
  - Handshower
  - Less handles – order (18 172) (sold separately)
  - Max Flow Rate 13.2 gpm (50 L/min)

- Applicable Codes & Standards:**
- Energy Policy Act of 1992
  - ASME A112.18.1/CSA B125.1

- Color:**
- 25077 000 chrome
  - 25077 EN0 brushed nickel

