

VERIS

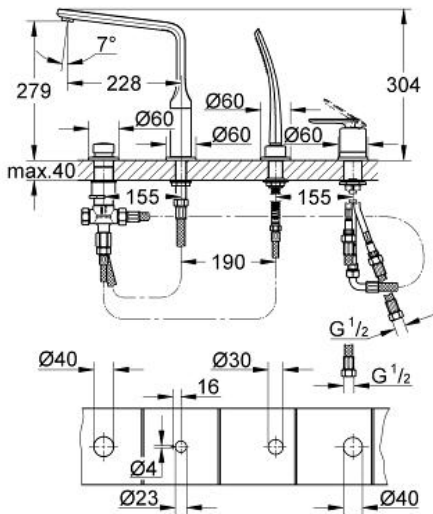
Four-hole Single-lever Bath Combination

MODEL # 19373

Pure Freude an Wasser



GROHE America, Inc | 200 North Gary Avenue, Suite G, Roselle, IL 60172
 Phone: +1 (800) 444-7643 | Fax: +1 (800) 225-2778 | us-customerservice@grohe.com



Product Description:

Four-hole Single-lever Bath Combination

Standard Specification:

- GROHE SilkMove® ceramic cartridge
- GROHE StarLight® finish
- Pre-assembled spout mounting
- Swivel bath inlet with flow control
- Bath/shower diverter
- 79" metal shower hose
- Mounting plate
- Stainless steel flex lines
- Connection for shower hose
- **Protected against backflow**
- Min. recommended pressure: 15 psi

Applicable Codes & Standards:

- Energy Policy Act of 1992
- ASME A112.18.1/CSA B125.1

Color:

- 19373 000 chrome

