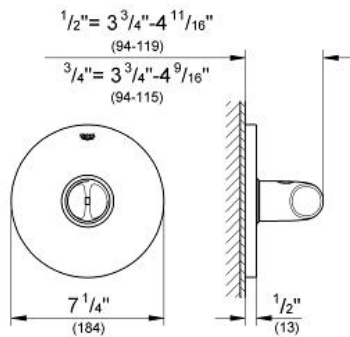


VERIS
Thermostatic trim
MODEL # 19366

Pure Freude an Wasser



GROHE America, Inc | 200 North Gary Avenue, Suite G, Roselle, IL 60172
Phone: +1 (800) 444-7643 | Fax: +1 (800) 225-2778 | us-customerservice@grohe.com



Product Description:
Thermostatic trim

Standard Specification:

- GROHE StarLight® finish
- GROHE SafeStop Plus integrated temperature limiter at max 122°F (50°C)
- Wall escutcheon with GROHE QuickFix® (covered escutcheon and shaft sealing, covered fixing)
- Requires separate volume control
- For use with GrohTherm Rough-In Valve (34 331), (34 125) or (34 397)

Applicable Codes & Standards:

- Energy Policy Act of 1992
- ASME A112.18.1/CSA B125.1

Color:

- 19366 000 chrome