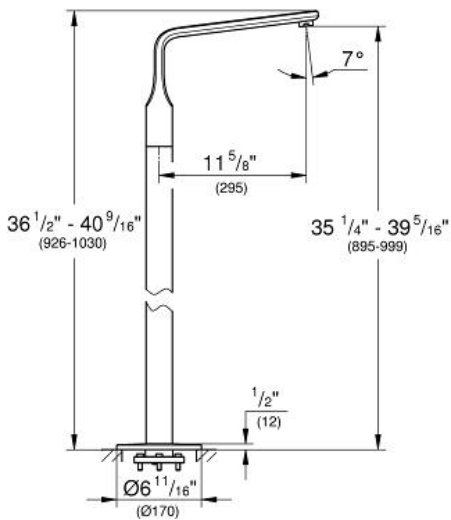


VERIS
Tub Spout
MODEL # 13245

Pure Freude an Wasser



GROHE America, Inc | 200 North Gary Avenue, Suite G, Roselle, IL 60172
Phone: +1 (800) 444-7643 | Fax: +1 (800) 225-2778 | us-customerservice@grohe.com



Product Description:
Tub Spout

Standard Specification:

- Requires Rough-In Set (29 038 001) (sold separately)
- **GROHE StarLight®** finish
- Spout with flow control
- 11 5/8" spout reach
- Max Flow Rate 7 gpm at 45 psi (26.5 L/min)

Applicable Codes & Standards:

- Energy Policy Act of 1992
- ASME A112.18.1/CSA B125.1

Color:

- 13245 000 chrome